

Kronos

TECHNICAL FEATURES



Description

NOT CARRIAGEABLE LED road marker. The product must be installed outside the roadway

OPTICAL FEATURES

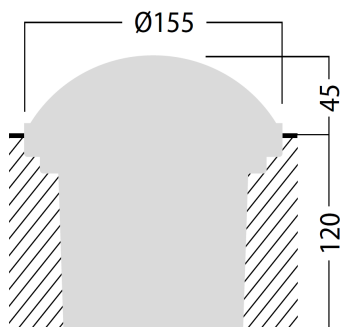
Compliance	UNI EN1463-3		
Light source	1 LED / 2 LED		
Optics	Single-Side / Double-Side		
Colors	Amber / White		
Luminous Intensity	> 60 cd		
Type of Light	Steady Light	Flashing Light	Sequential flashing light
Optical Group Life	> 50'000 Hours		

ELECTRICAL FEATURES

Power Supply	11 Vdc ÷ 24 Vdc	230 Vac
Insulation class	Class III	Class II
Power consumption	6 W	

MECHANICAL FEATURES

Operating Temperature	-10 °C ÷ +55 °C	
Material	Die cast aluminium (formwork in Polypropylene)	
IP Protection Degree	IP67	
Weight	1.3 kg	
Dimensions (with formwork)	Ø 155 mm x 165 mm (45 mm above ground)	
Fixing	Recessed in pavement	



Rev. 3.0
06/04/2023

Approved TEC

Approved AQ